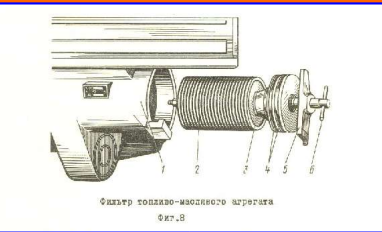
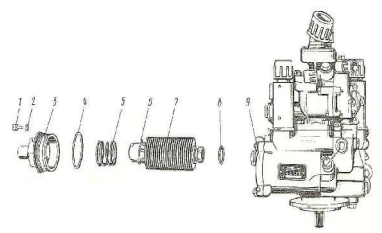
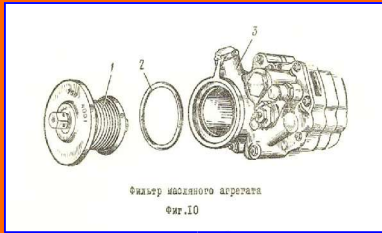
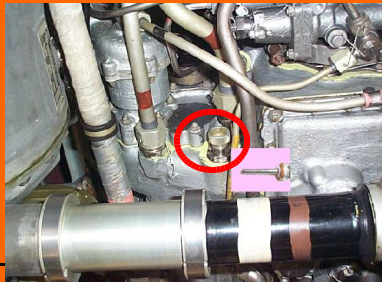
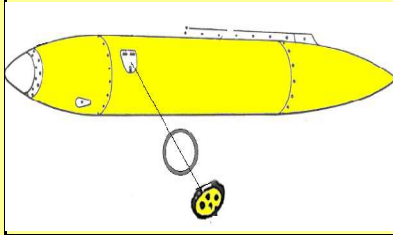


O-rings and sealing material L-39

Pos	ENGINE	Rubber parts	Part	MFR P/N	Size	QTY
1	Fuel Filter Heat Exchanger 4714AT		o-ring	5128A-42-2		2
			gasket		47 x 29 x 2	1
2	Fuel Filter Engine Pump R-4001		o-ring	2262A.180		1
			o-ring	2267A.179		1
3	Oil Filter Engine Oil Aggregate MA-25		o-ring	0-5-0205		1
4	Oil System Magnetic chip dedector		gasket	W/O		1

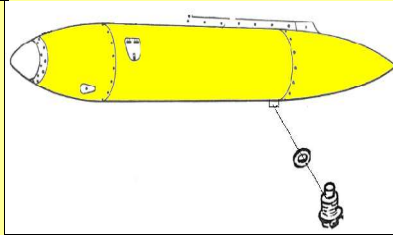
Pos.	Airframe	Fuel System	Part	MFR P/N	Size	QTY
------	----------	-------------	------	---------	------	-----

5 Tip Tank Filler gasket



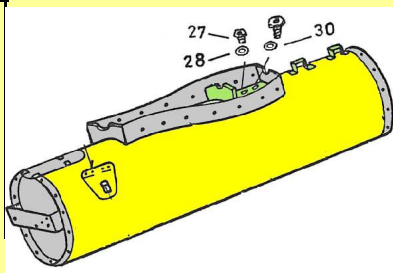
gasket	CD-6106-97		2
--------	------------	--	---

6 Tip Tank drain valve gasket



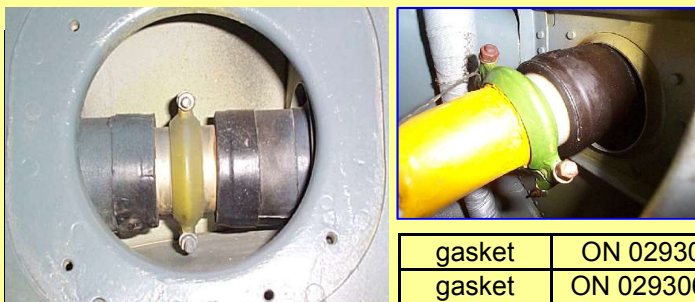
gasket	CD-6110-263		2
--------	-------------	--	---

7 Tip Tank fuel / air connection to wing



o-ring	155N 607-9,6		1
o-ring	155N 607-13,6		1

8 Main Tank Interconnection

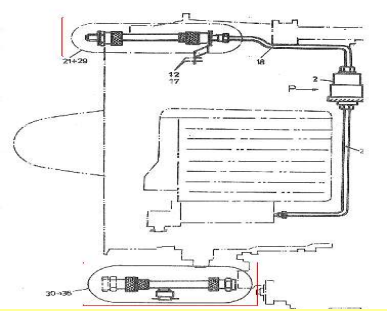



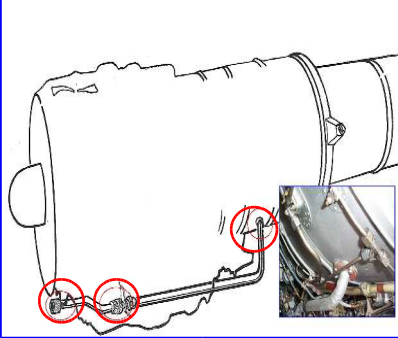


gasket	ON 029306	22x30x2	2
gasket	ON 029306.3	42x50x2	4

9 Float Valve Tank No. 5



gasket	L39.6701E-03.00		1
--------	-----------------	--	---

Pos	Engine	Fuel System	Part	MFR P/N	Size	QTY
10	Fuel line engine					
			O-ring	CSN 02 9280.1	30x22	4
11	Fuel Accumulator					
			Membran	L39.6601-01.06		1

Pos.	Engine	Hot Air	Part	MFR P/N	Size	QTY
12	Anti-G installation					
			gasket	L39.7029-00.11		1
			o-ring	L39.7309-00.08	30 x 22 mm	2
13	MPK-14 MTV Air Condition					
			gasket	L39.7029-00.10		1
14	MPK-14 De-icing					
			gasket	L39.7029-00.11		1

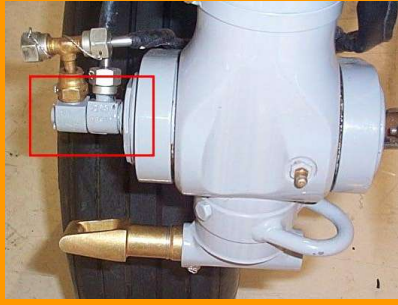
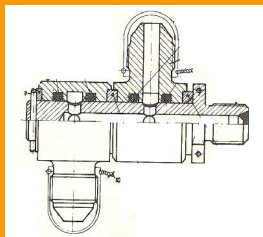
15 APU Hot Air




o-ring	ON 029280.3	52 x 40		1
o-ring	ON 029280.3	60 x 50		4
o-ring	ON 029280.3	63 x 53		4


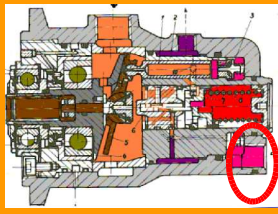
Pos Hydraulic **Part** MFR P/N **Size** **QTY**

16 revolving joint LUN 7742-7

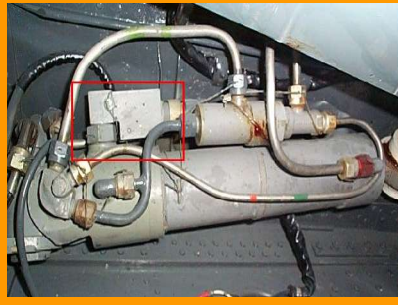
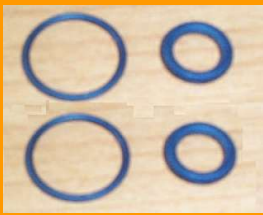
o-ring				8
--------	--	--	--	---

17 Hydraulic pump Pressure fitting

o-ring				1
--------	--	--	--	---


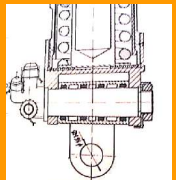
18 Hydraulic Micro Switches











Maint

o-ring				2 each
--------	--	--	--	--------

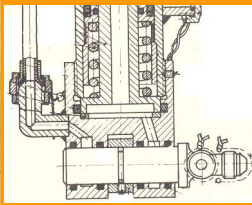
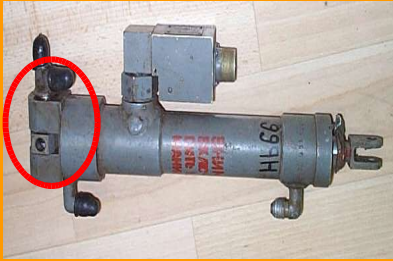
19 Actuator Speed Brakes

o-ring				4
--------	--	--	--	---

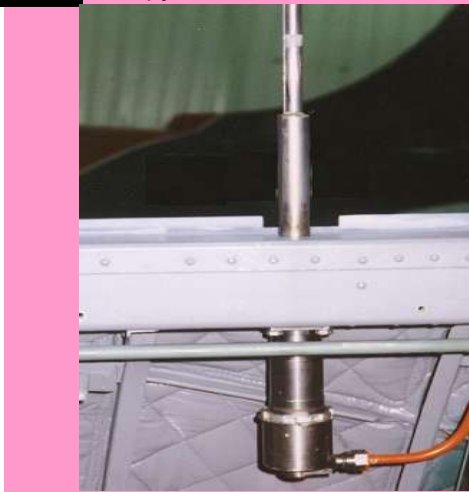
<p>20</p>	<p>Hydraulic Emergency Accumulators from 19 series</p> 		<p>Test pocedure instruction needed</p>			<p>1</p>
<p>21</p>	<p>Hydraulic Emergency Accumulators till 18 series</p> 		<p>Test pocedure instruction needed</p>			<p>3</p>
<p>22</p>	<p>Hydraulic Main Accumulator</p> 		<p>Test pocedure instruction needed</p>			<p>1</p>
<p>23</p>	<p>Brake unit</p> 		<p>Maint</p>			<p>12</p>
<p>24</p>	<p>Brake Control Valve</p> 		<p>Maint</p>			<p>1</p>
		<p>o-ring</p>	<p>w/o</p>	<p>sample</p>		

25 Hydr.-Actuator NLG door



o-ring	w/o	sample	4
--------	-----	--------	---

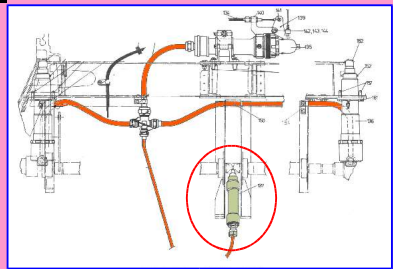
Pos Egress System Part MFR P/N Size QTY



Maint

o-ring	kit	1 x actuator	4
--------	-----	--------------	---

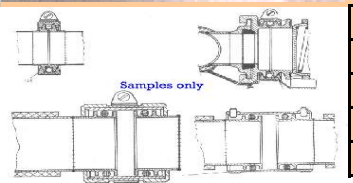
27 Canopy lock drive shaft actuator






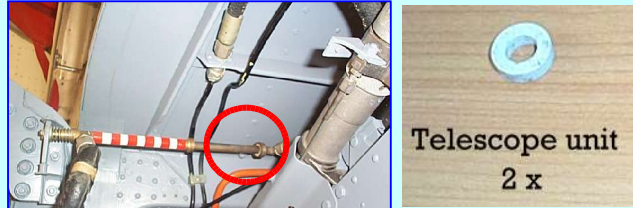
Maint

o-ring	kit	1 x actuator	2
--------	-----	--------------	---

Pos ECS System Part MFR P/N Size QTY



29,3 x 4,6	12
39,1 x 5,8	20
41,1 x 5,8	8
44,1 x 5,8	8
54,1 x 5,8	4

Pos	Airframe	Part	MFR P/N	Size	QTY	
29	Wheel Rims NLG/MLG	 <p>C and ZO only ZA on request</p>				
		o-ring	K25-0000.05	NLG	1	
		o-ring	K24-1100.15	MLG	2	
30	Control rod seal after Bulkhead 21a					
		Sealing Bellows	3900003	Typ V	1	
		Sealing Bellows	3900003	Typ S	2	
31	Canopy / Windshield Defogging	 <p>Windshield 1 x Canopy I + II 4 x</p>				
		gasket	L39.7001A-00.4	round	1	
		gasket	L39.7001A-00.4	oval	4	
32	Telescope connection Canopy	 <p>Telescope unit 2 x</p>				
		gasket	L39.7421-02.08		2	

Order just by Pos Number and QTY per position

Parts for ZA Wheels and Brakes on request only

Items marked with

Maint are for maintenance facilities only !

Because you can't test them on the field after installation